

Technical Data Sheet



Catalog No. P2XLF21-15-T

Characteristics	
Phase	1
KVA	15
Primary	240X480V
Secondary	120/240v
Conductor	Aluminum
Temp. Rise	115° C
Frequency	60 HZ
Taps	+2/-4@2.5%
ESS	No
Insulation	180° C
Weathershield	N/A
Wall Bracket	Built-In
Weight (lbs)	270
Sound (dB)	45

Notes

All units are UL listed and are designed in accordance with applicable NEMA, ANSI and IEEE standards.

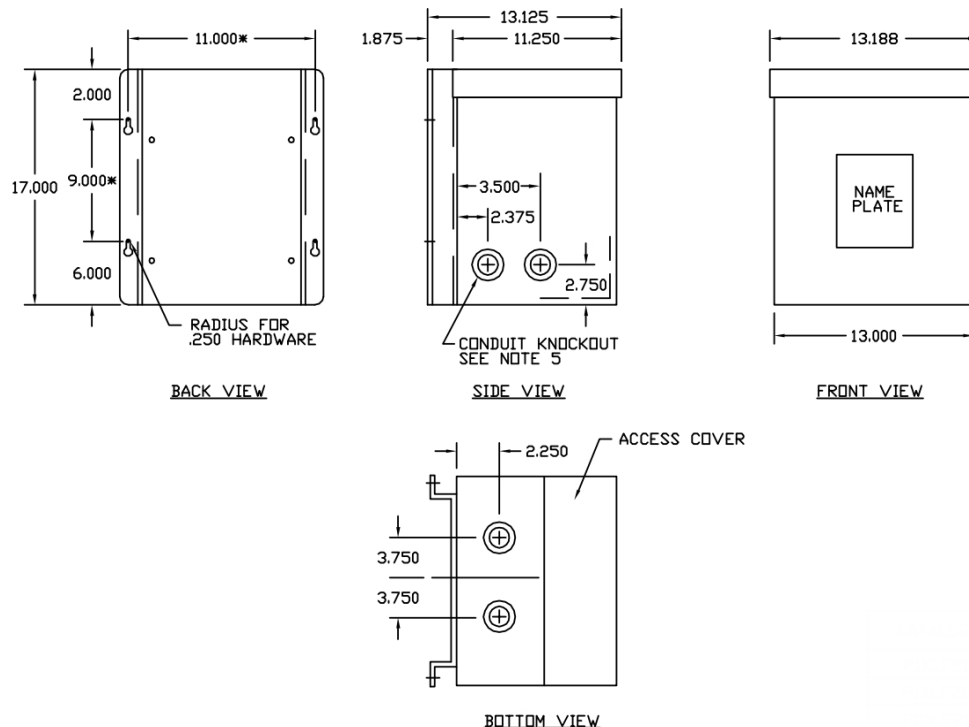
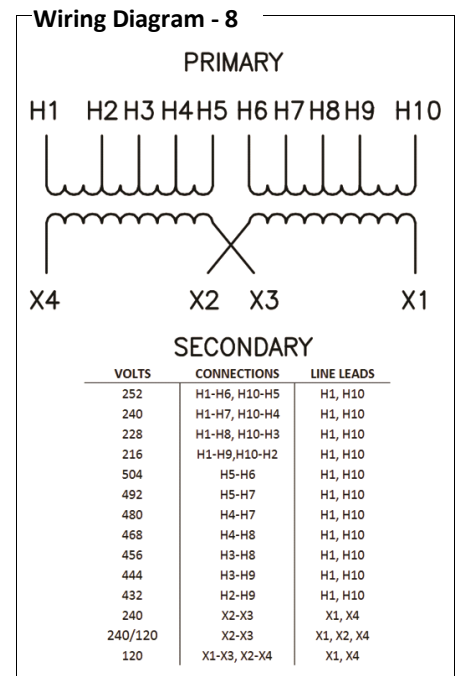
Transformers are dry-type AA, non-ventilated NEMA 3R enclosure.

Transformers are wall mounted. Wall mounting bracket is built into the enclosure.

Paint color is ANSI 61.

AMP Ratings

Line In (Load) @ 240V	62.5A
Line In (Load) @ 480V	31.3A
Load (Secondary) @ 120V	125.0A
Load (Secondary) @ 240V	62.5A



Outline No: 05A1466

Meets 10 CFR 431(2016) Efficiency
Dry Type Transformer General Purpose

© 2017 Electro-Mechanical Corporation

For reference only
Subject to change without notice

MIDWEST Electrical Testing & Maintenance Co., Inc. / 414.461.8200 / 800.803.9256 / www.swgr.com / midwest@swgr.com